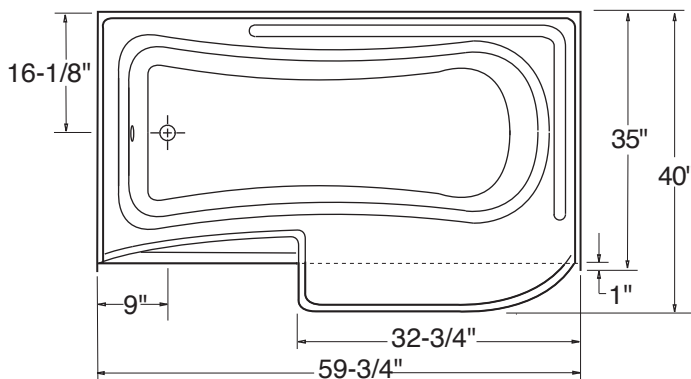


# APR6034

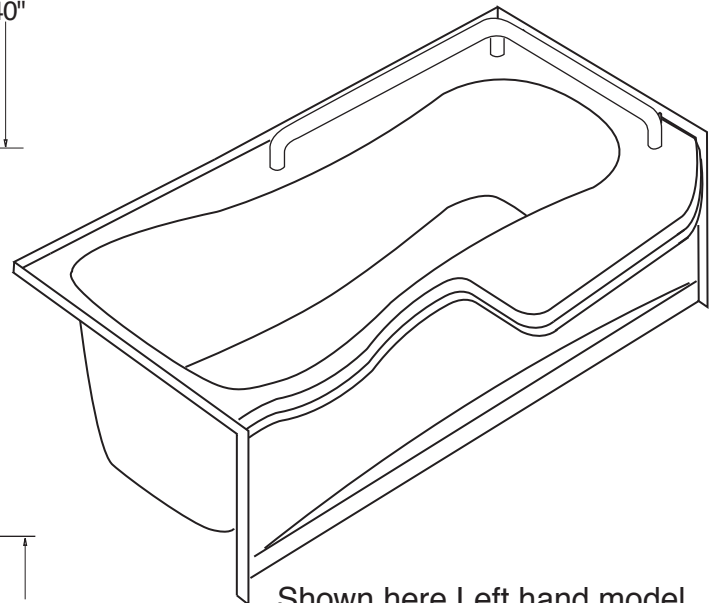
## FEATURES

- "Assisted Living" fiberglass bathtub
- Seat at wheelchair height for safe and comfortable transfer for bather and caregiver.
- "Waisted" center conserves water but still delivers a higher waistline for a more comfortable soak.
- The virtually flat floor with straight tub walls reduce slipping in the standing area.
- Functional rail adds both a luxurious appearance as well as a safe guard against falling.
- The sturdy seat drastically reduces the chance of falling while entering and exiting.

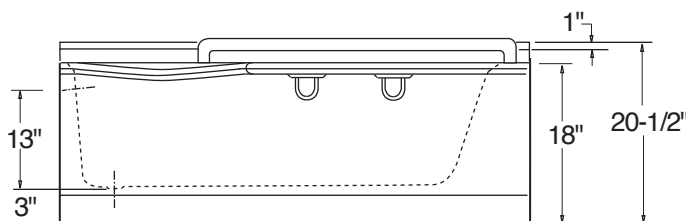
- The lowered side adds ease to entry and exit.
- The entire outer edge of the tub is a subtle but functional gripping surface.
- The back has an aggressive slope to maximize reclined comfort.
- The contoured apron "reserves" space between the tub and toilet thus providing an area for caregivers to assume correct lifting stance and reducing risk of injury.



PLAN



Shown here Left hand model with optional corner grab bar



ELEVATION

	TITLE : Access Plus Tub, Assisted Living	SCALE : 1/2"=1'0"
	MODEL : APR6034	SHT. 1 of 4