

Home Care Technical Specification

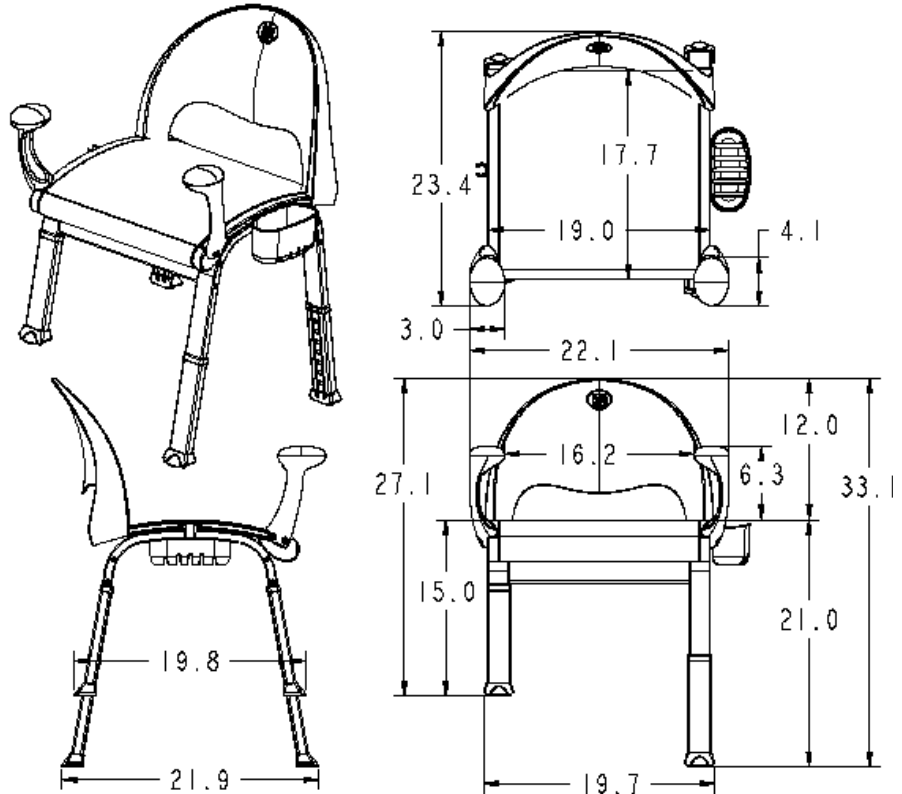
Premium Shower Chair

DN7100

Stock Numbers:

- DN7100 – Premium Shower Chair

Dimensions:



Materials:

Mesh material is Glass filled Polyester with PVC coating.

Legs and Frame are 6063 Aluminum.

Seat back is Polypropylene.

Arms are Glass filled Polypropylene.

Feet are Thermoplastic rubber (TPR).

Stock Number: _____ Premium Shower Chair By Creative Specialties



distributed by.

Sage bath & shower
BATHROOM SAFETY SPECIALISTS

www.sagebathrooms.com • Toll free 1.866.255.2228

We reserve the right to make revisions without notice in the design of fixtures or in the packaging unless this right has specifically been waived at the time the order is accepted.